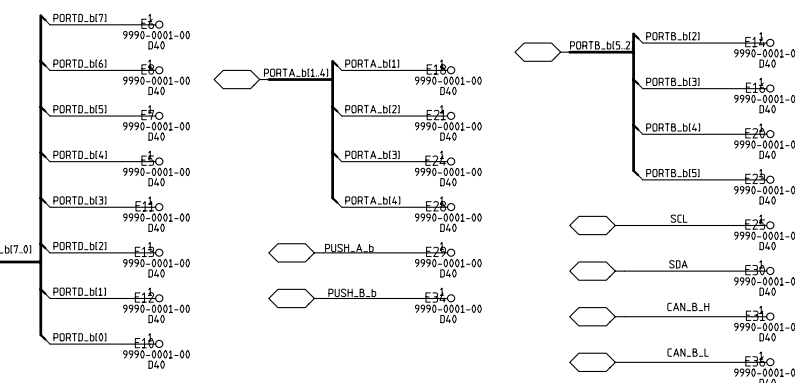
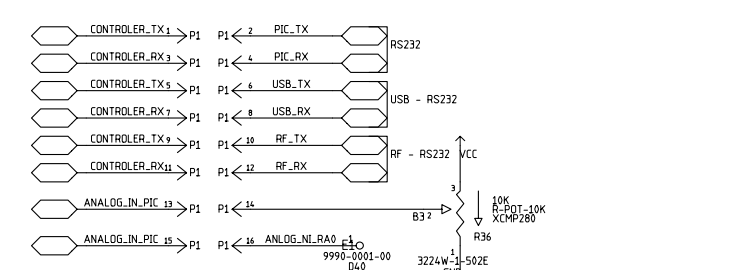
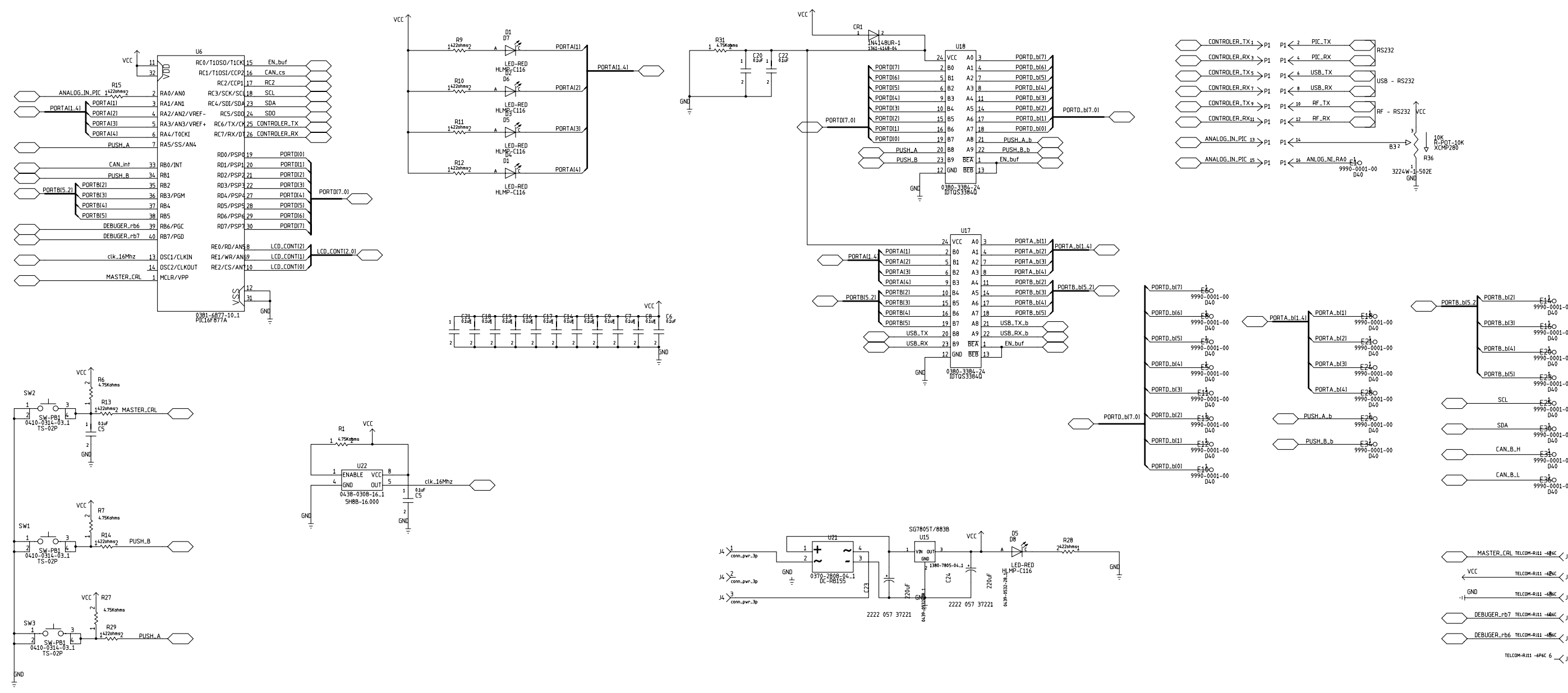


PROPRIETARY1
PROPRIETARY2
PROPRIETARY3
PROPRIETARY4
PROPRIETARY5

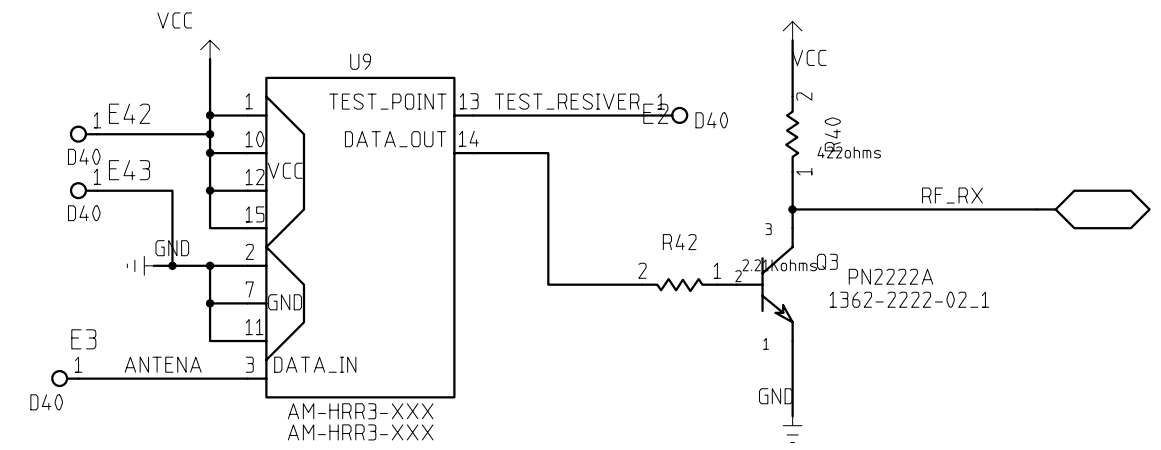
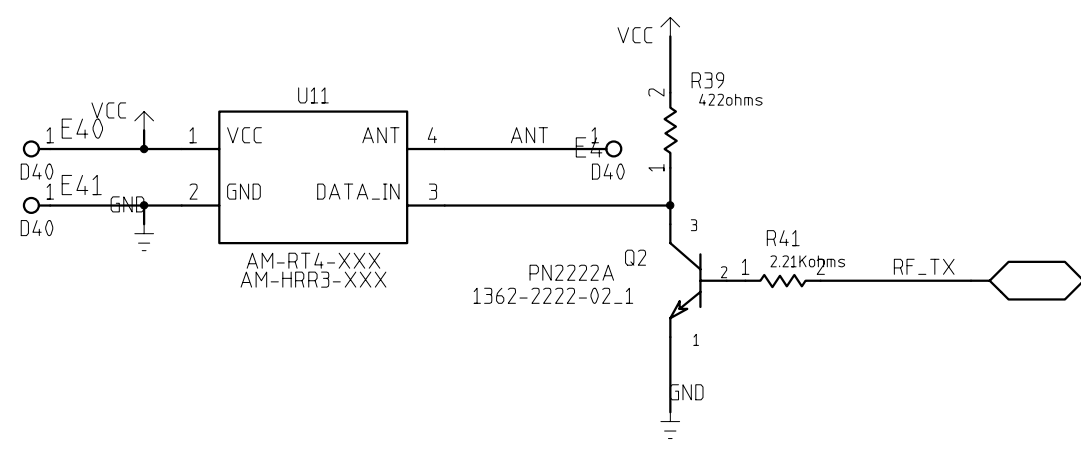


PIC_TOP

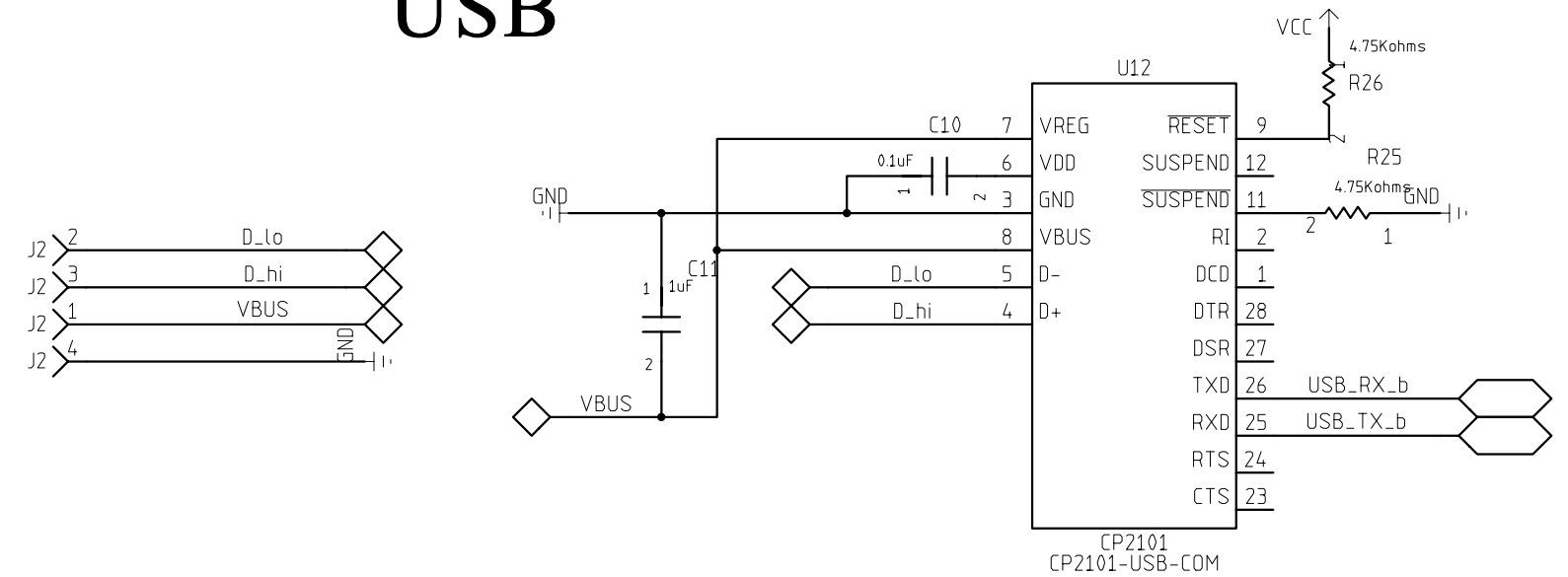
SIZE	A1	CAGE CODE	@CAGE	DWG. NO.	@DWG_NO	REV	@REV
FREE1	@FREE1	FREE2	@FREE2	SHEET	@HierPageNumber	TOTAL	@HierPageTotal

@PROPRIETARY1
@PROPRIETARY2
@PROPRIETARY3
@PROPRIETARY4
@PROPRIETARY5

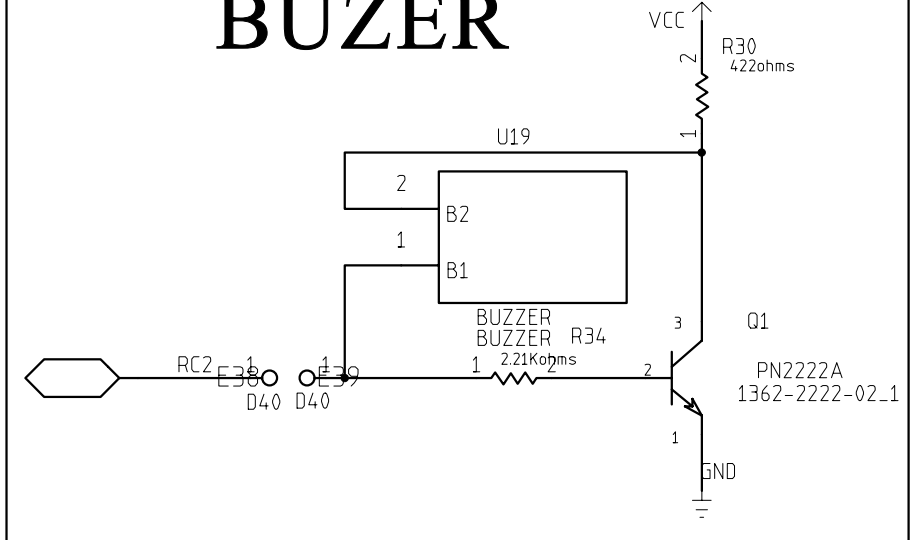
RF



USB



BUZER

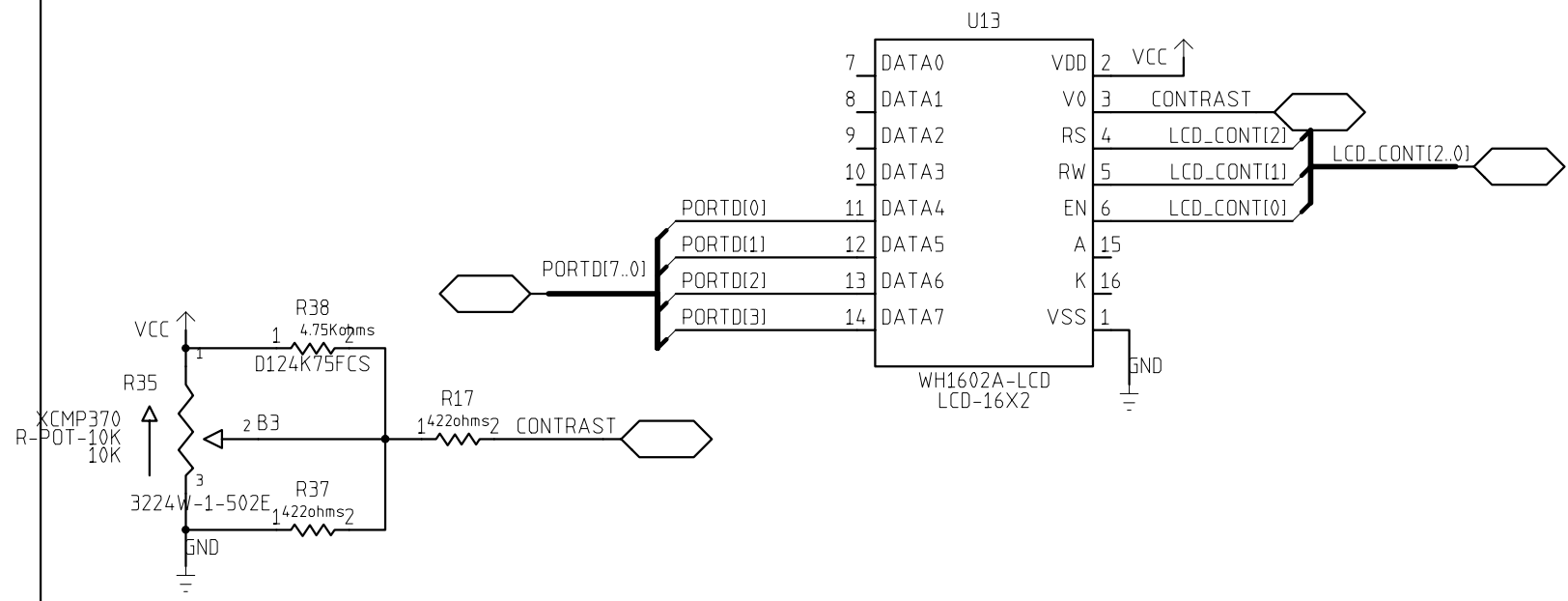


PIC_TOP

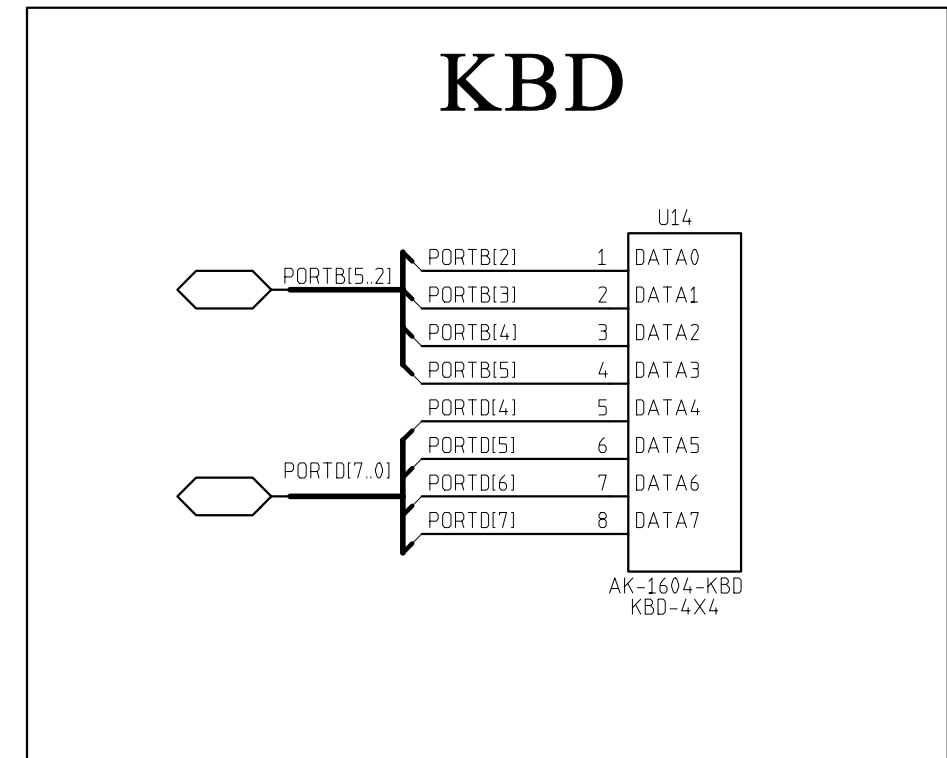
SIZE A3	CAGE CODE @CAGE	DWG. NO. @DWG_NO	REV @REV
@FREE1	@FREE2	SHEET OF @HierPageNumber @HierPageTotal	

@PROPRIETARY1
@PROPRIETARY2
@PROPRIETARY3
@PROPRIETARY4
@PROPRIETARY5

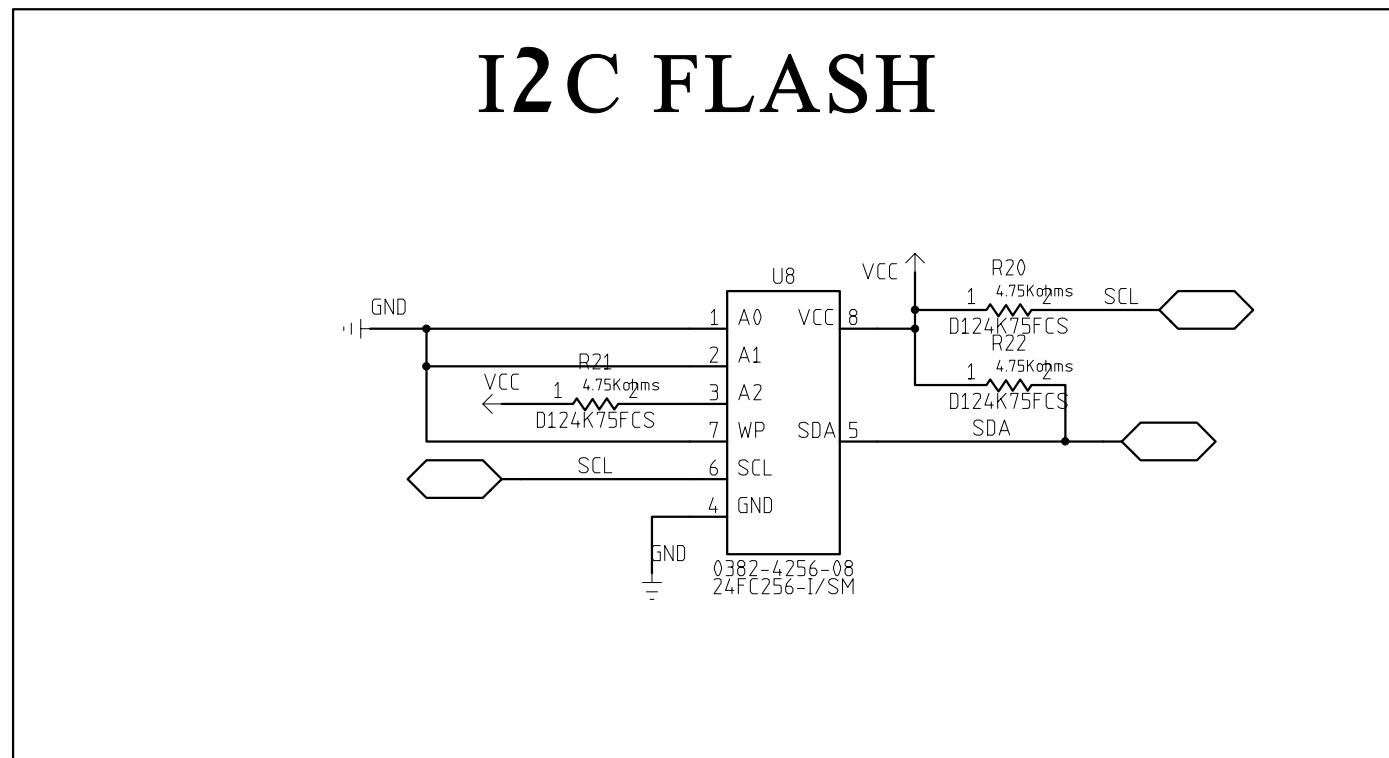
LCD



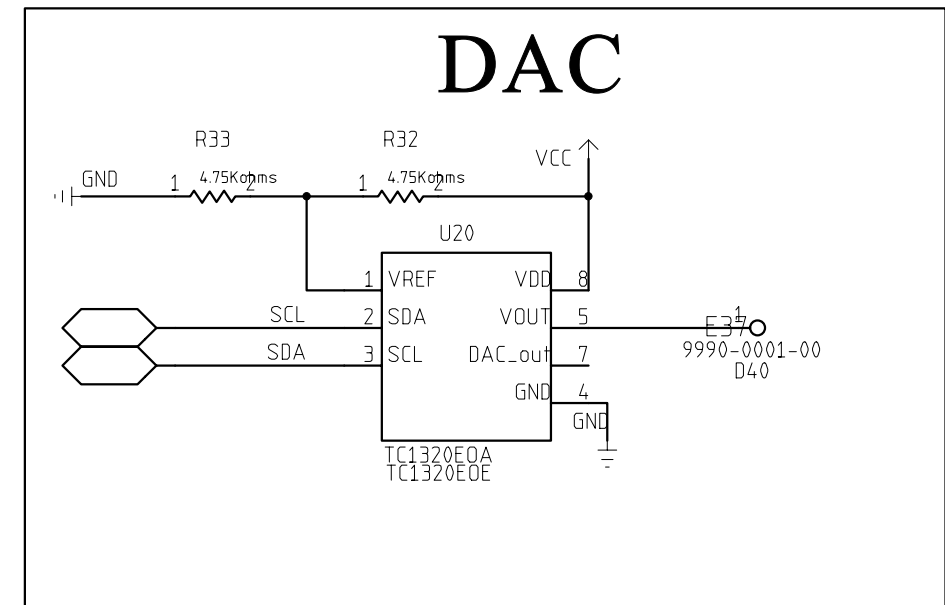
KBD



I2C FLASH



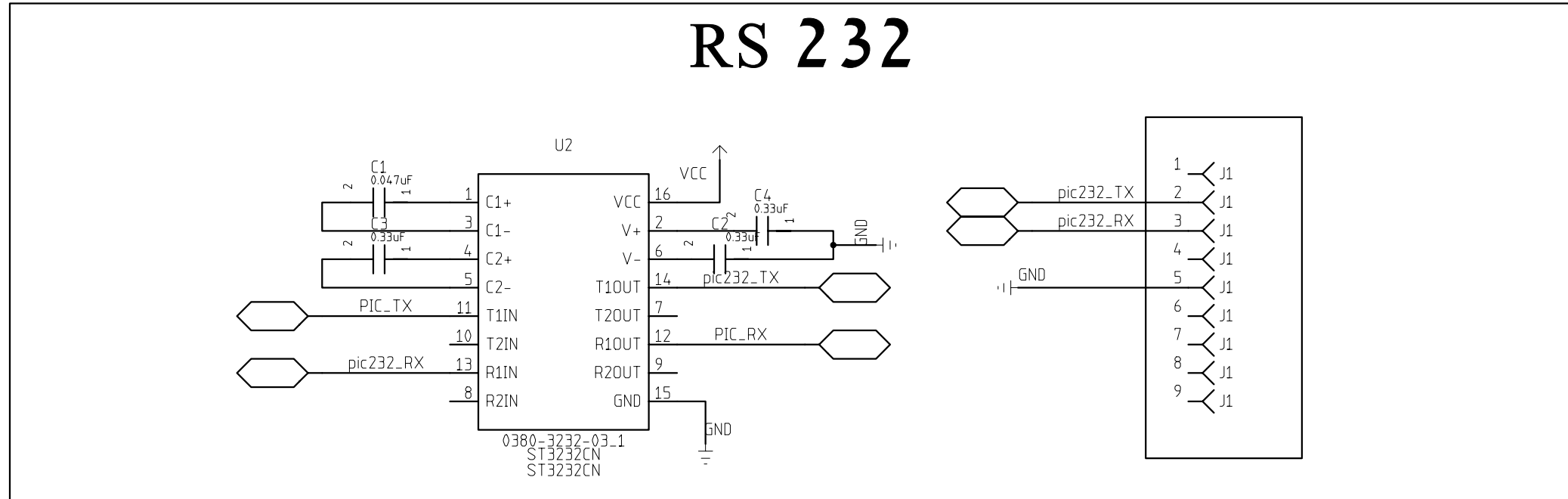
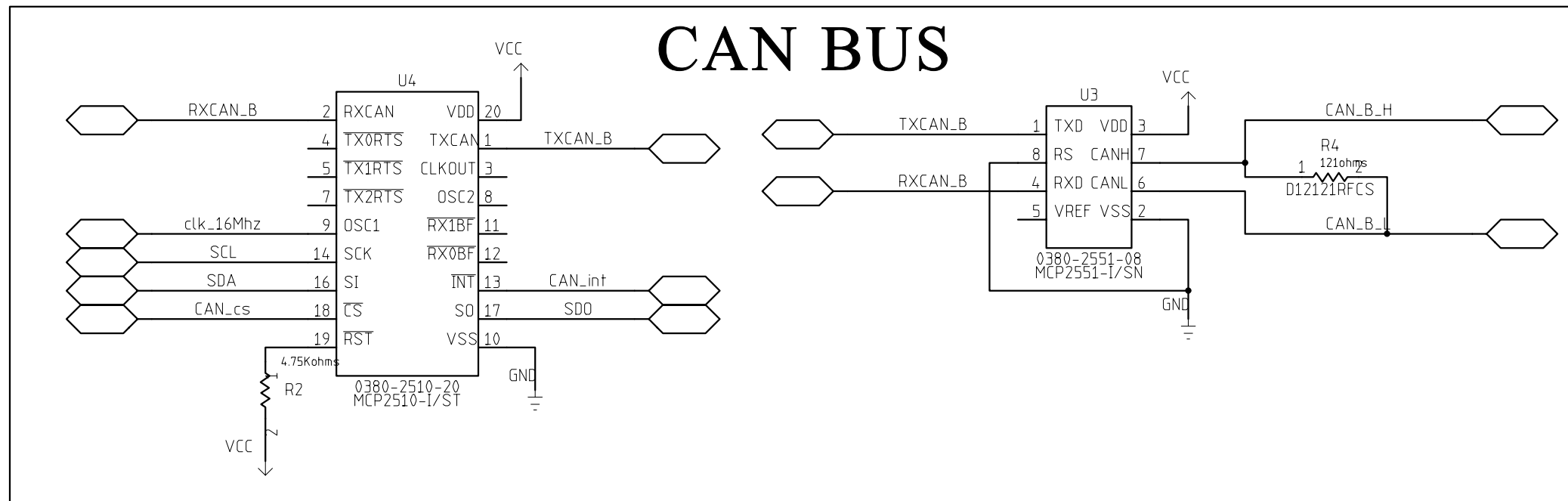
DAC



PIC_TOP

SIZE A3	CAGE CODE @CAGE	DWG. NO. @DWG_NO	REV @REV
@FREE1	@FREE2	SHEET OF @HierPageNumber @HierPageTotal	

@PROPRIETARY1
@PROPRIETARY2
@PROPRIETARY3
@PROPRIETARY4
@PROPRIETARY5



PIC_TOP

SIZE A3	CAGE CODE @CAGE	DWG. NO. @DWG_NO	REV @REV
@FREE1	@FREE2	SHEET OF @HierPageNumber @HierPageTotal	